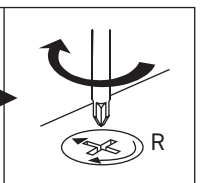
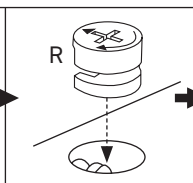
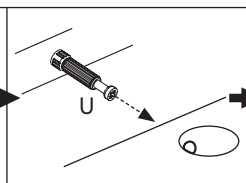
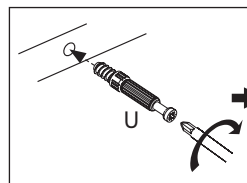
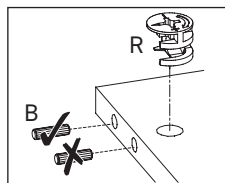
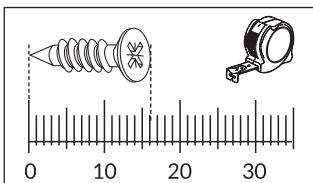
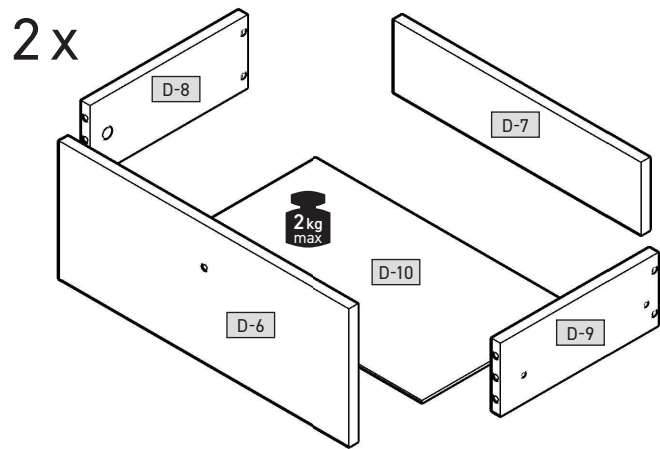
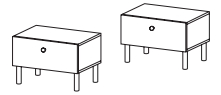
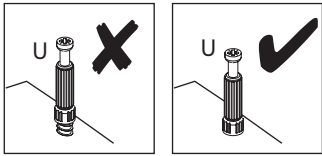
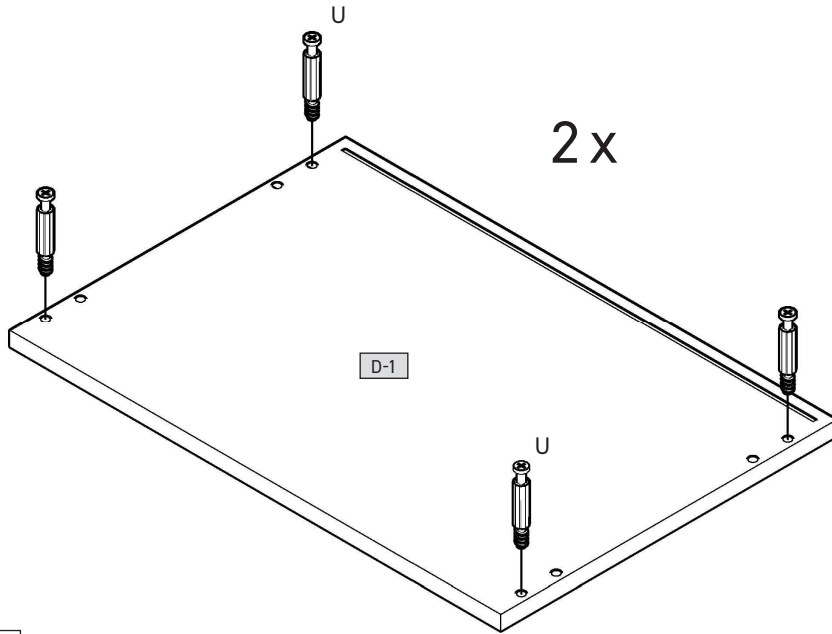
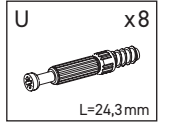


D-1	561	384	16	x 2	1/1
D-2	561	384	16	x 2	1/1
D-3	200	384	16	x 2	1/1
D-4	200	384	16	x 2	1/1
D-5	542	214	3	x 2	1/1
D-6	556	228	16	x 2	1/1
D-7	472	120	16	x 2	1/1
D-8	300	120	18	x 2	1/1
D-9	300	120	16	x 2	1/1
D-10	502	306	3	x 2	1/1

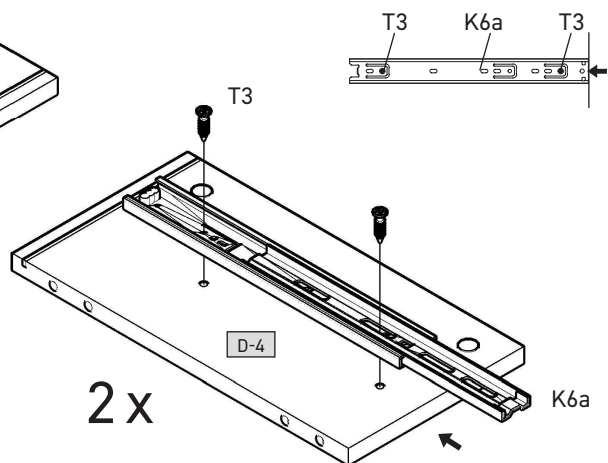
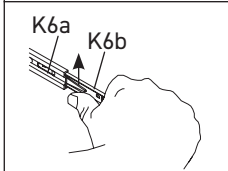
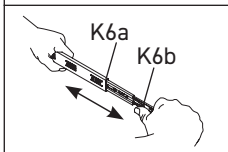
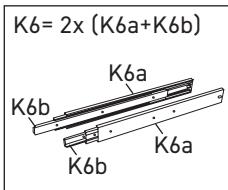
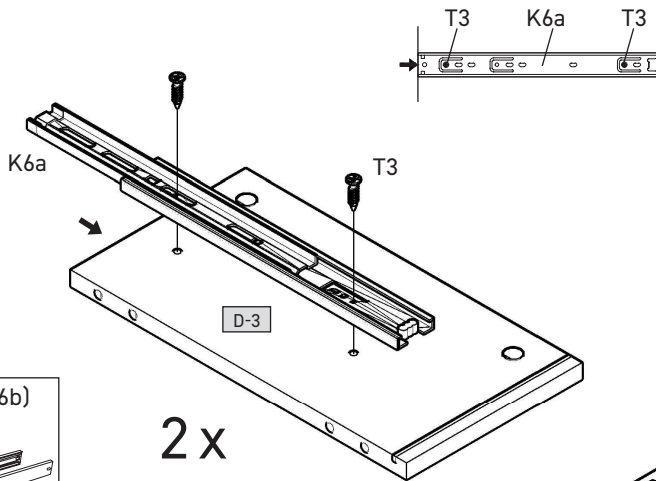
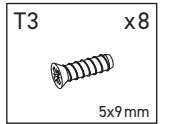
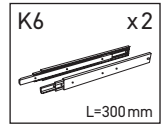


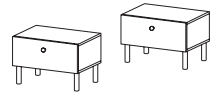


1

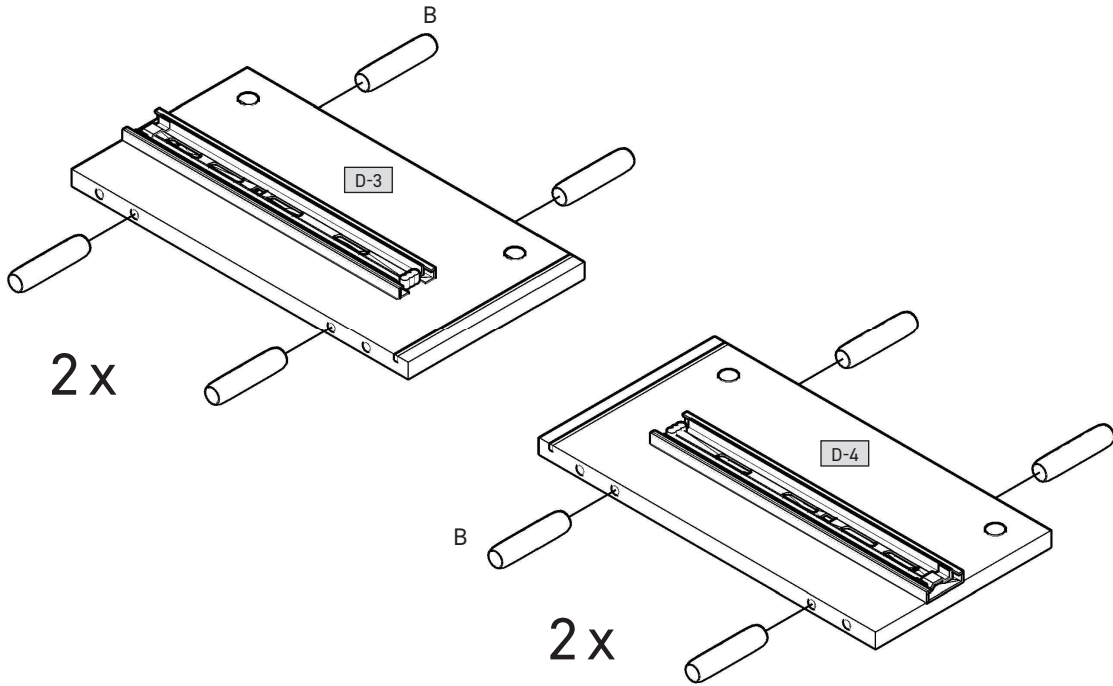
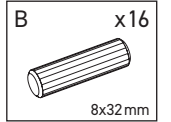


2

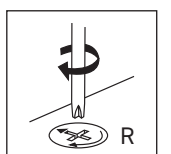
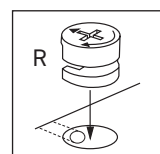
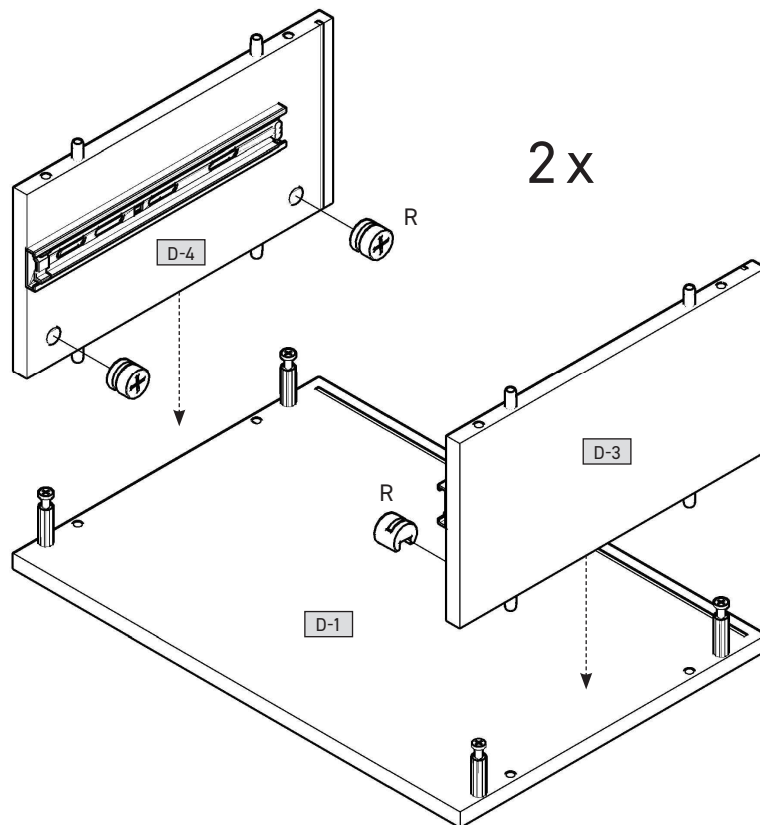
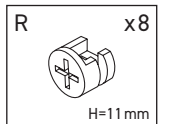


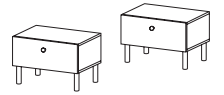


3

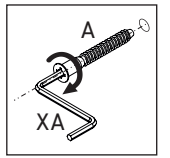
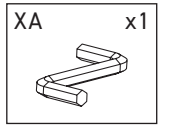
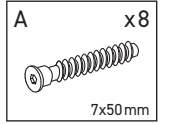
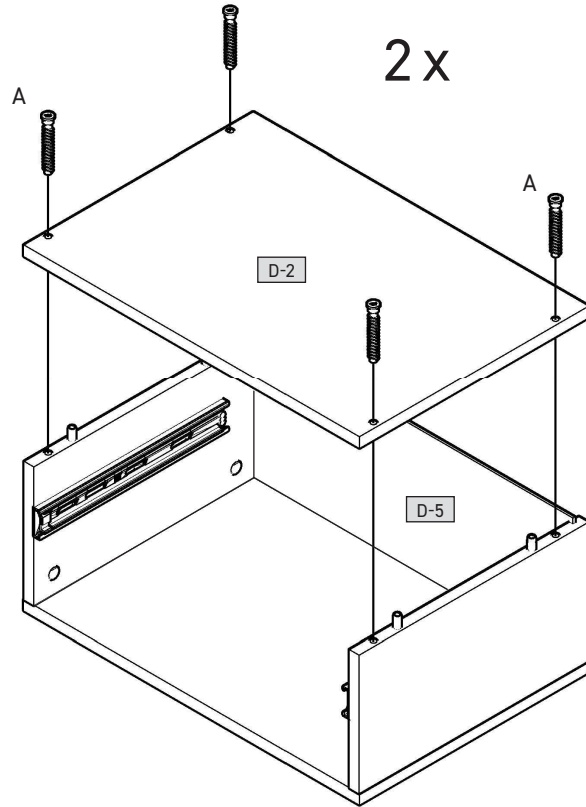


4

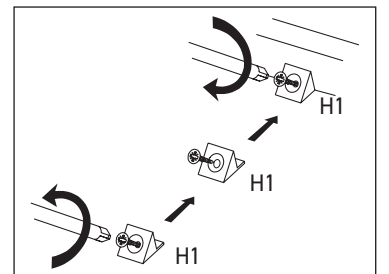
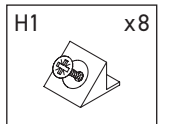
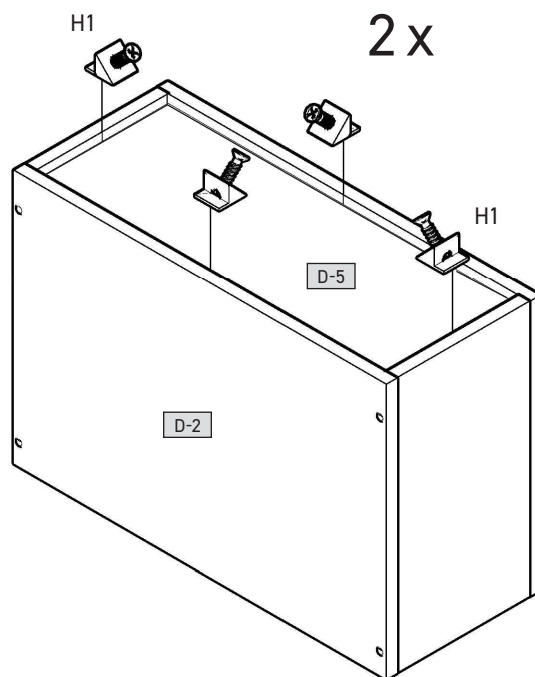
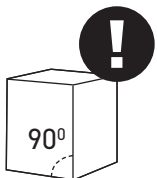
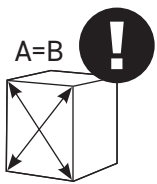
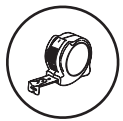


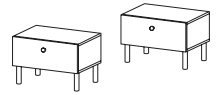


5

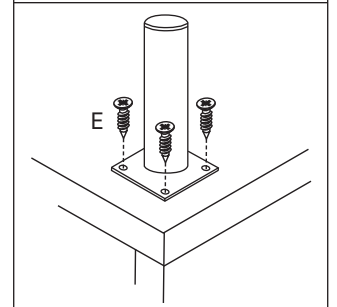
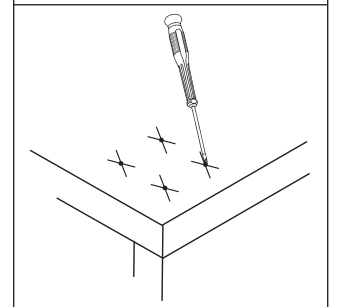
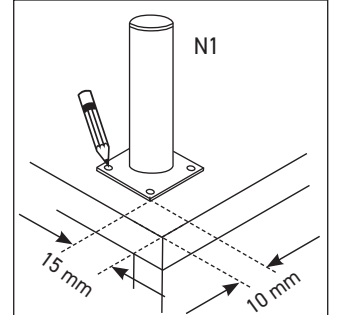
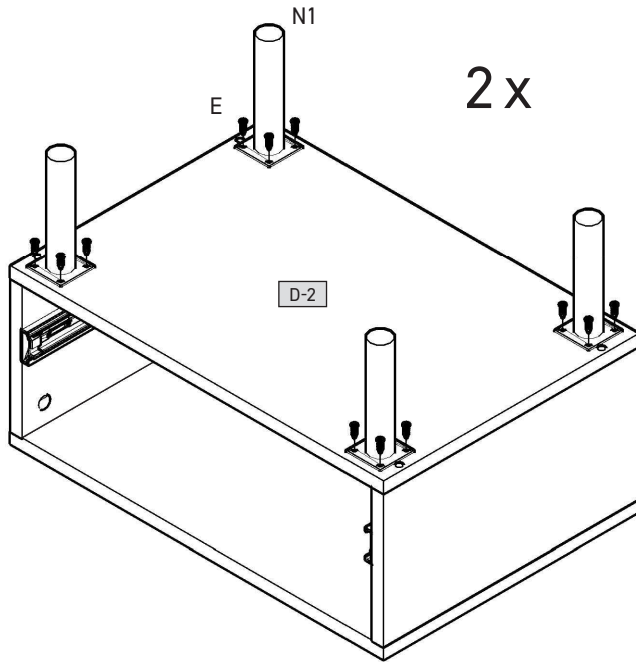
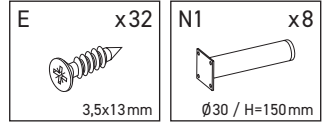


6

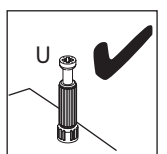
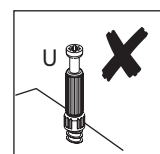
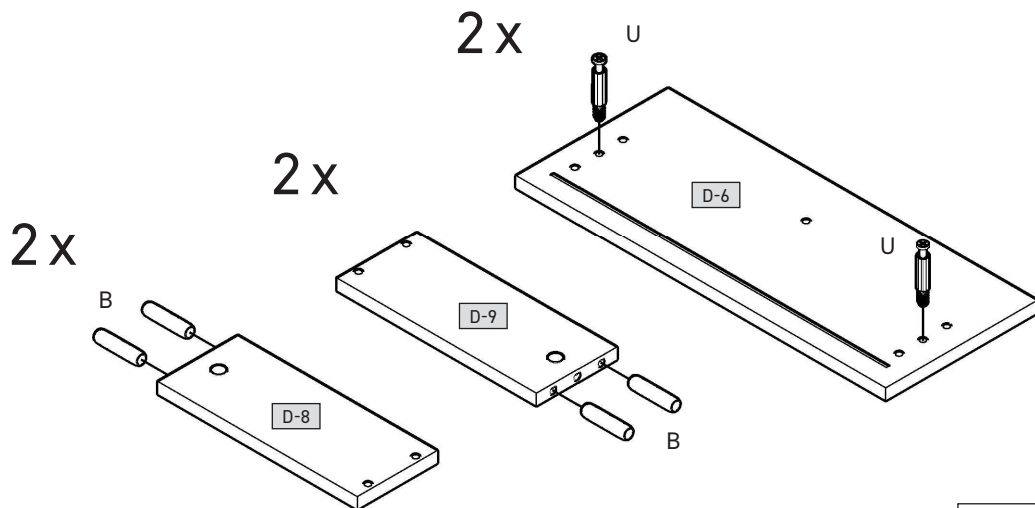
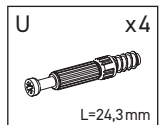
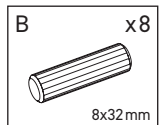


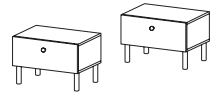


7

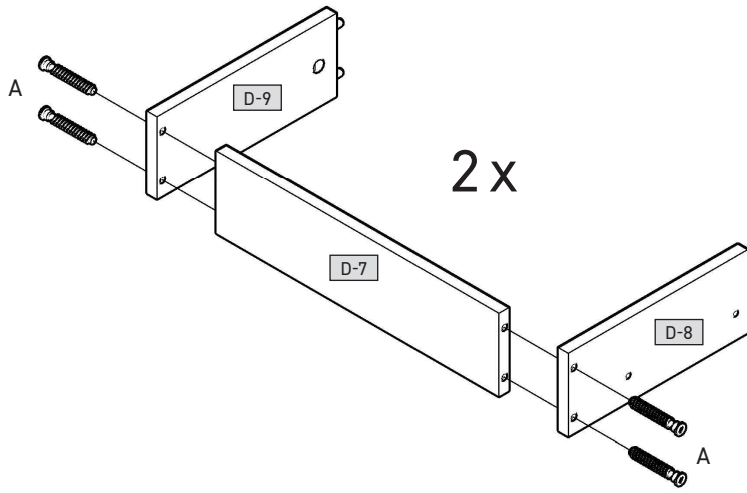


8

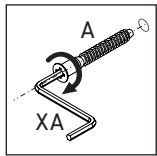




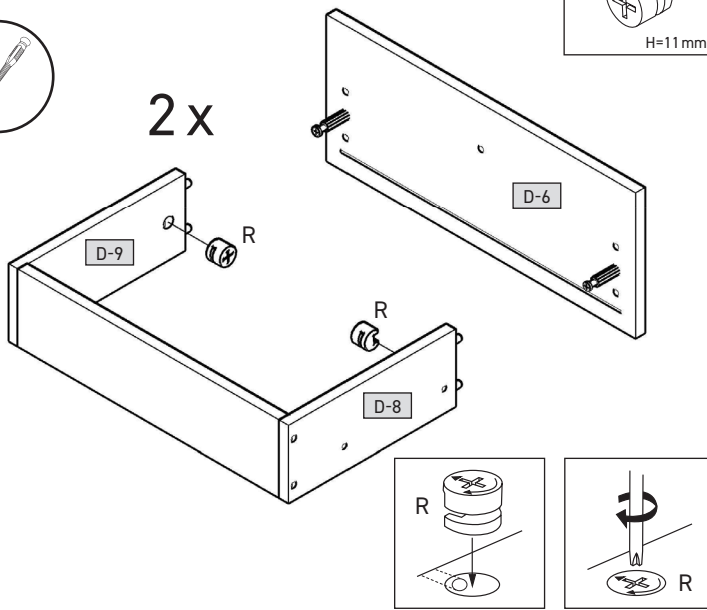
9



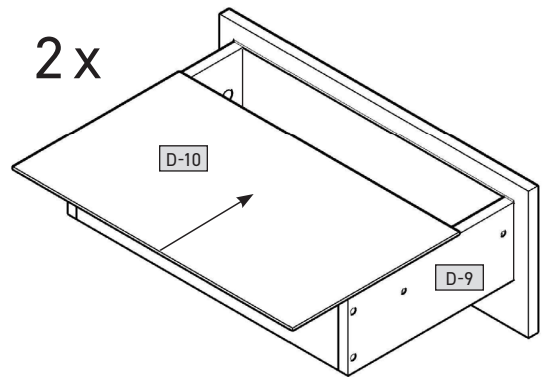
- A x8
7x50mm
- XA x1



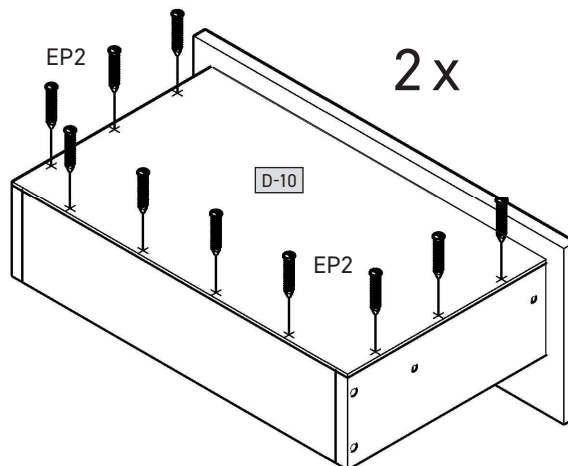
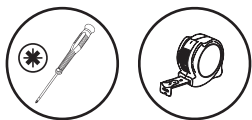
10



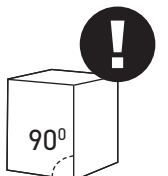
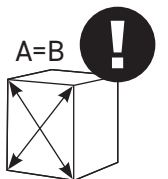
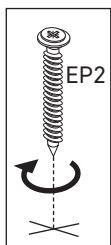
11

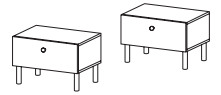


12

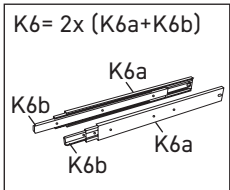
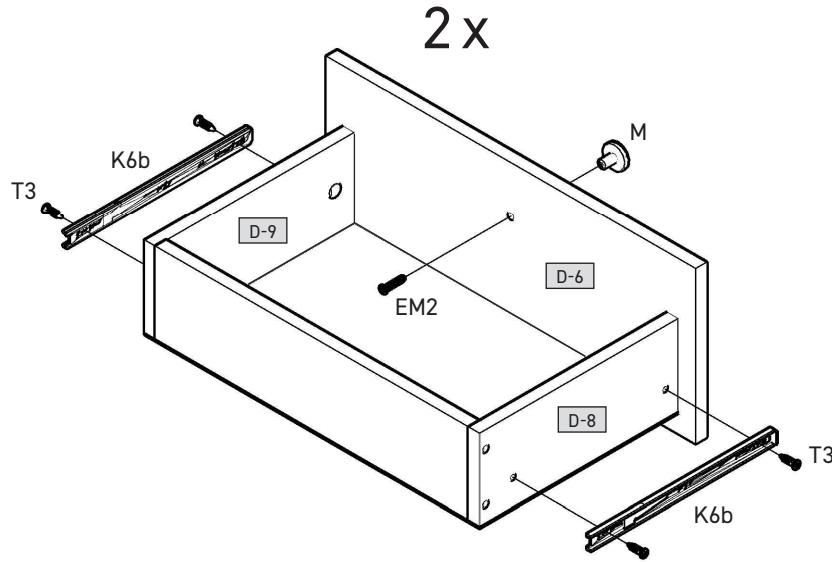
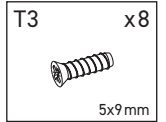
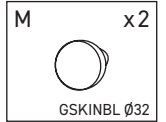
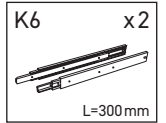
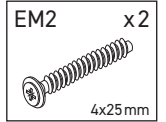


- EP2 x20
4x20mm

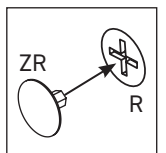
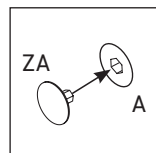
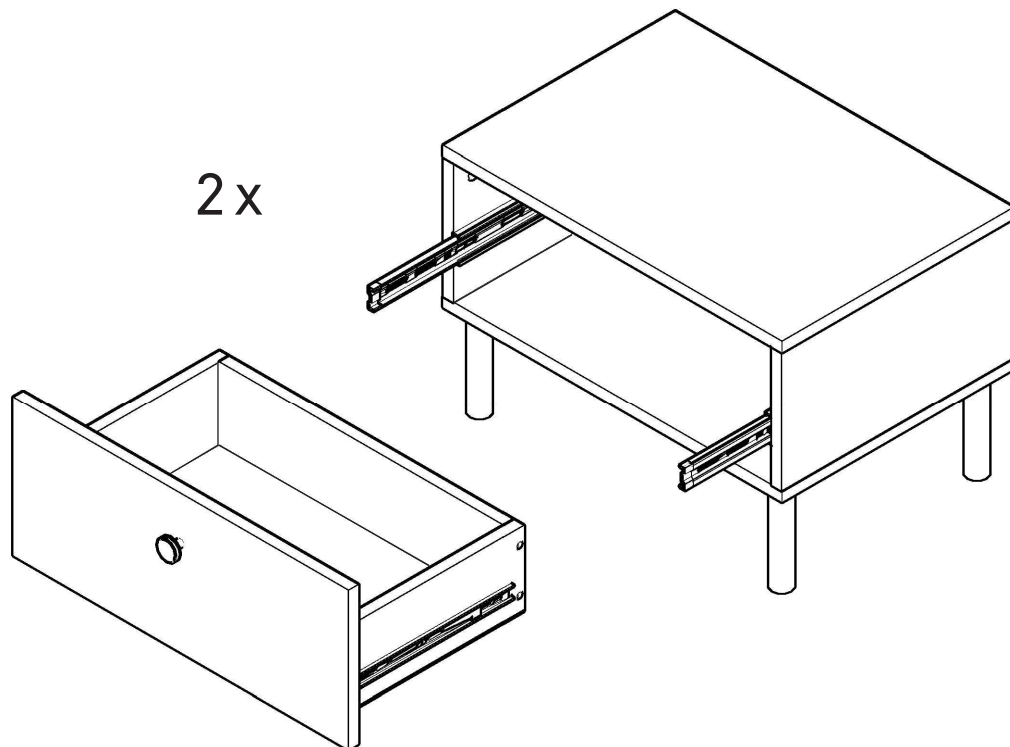
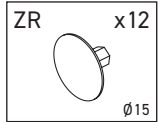
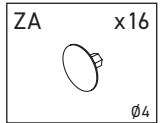


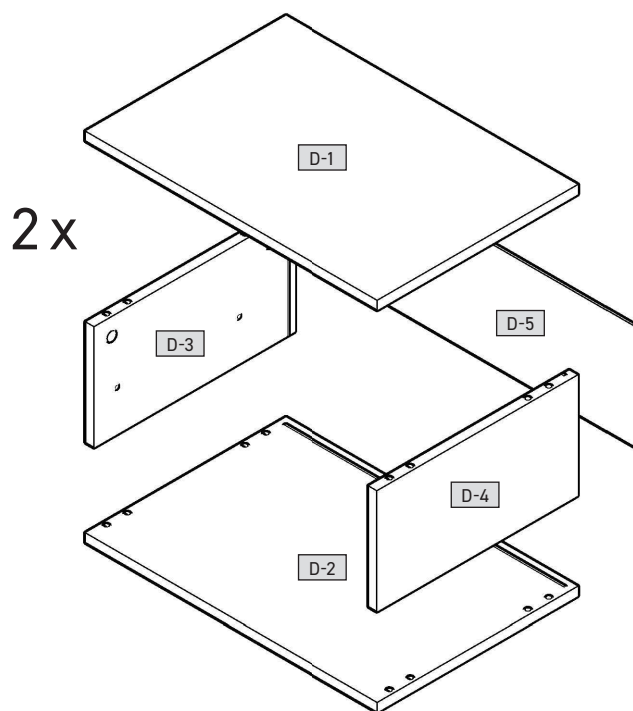
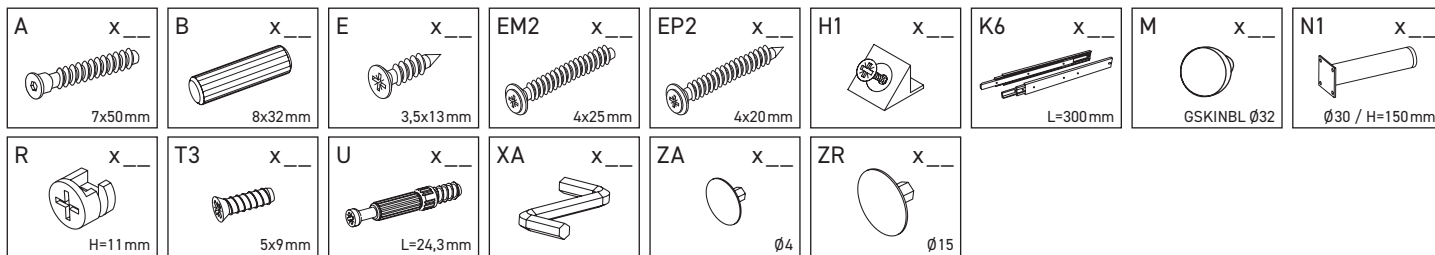


13



14





D-1	561	384	16	x 2	1/1
D-2	561	384	16	x 2	1/1
D-3	200	384	16	x 2	1/1
D-4	200	384	16	x 2	1/1
D-5	542	214	3	x 2	1/1
D-6	556	228	16	x 2	1/1
D-7	472	120	16	x 2	1/1
D-8	300	120	18	x 2	1/1
D-9	300	120	16	x 2	1/1
D-10	502	306	3	x 2	1/1

